

# AQUALISA

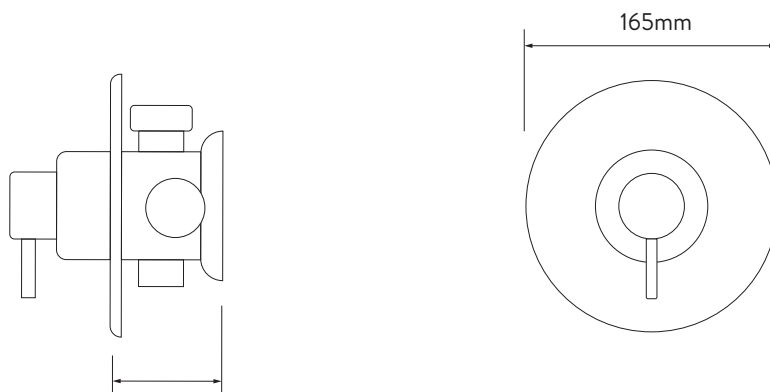
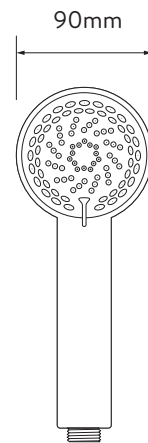
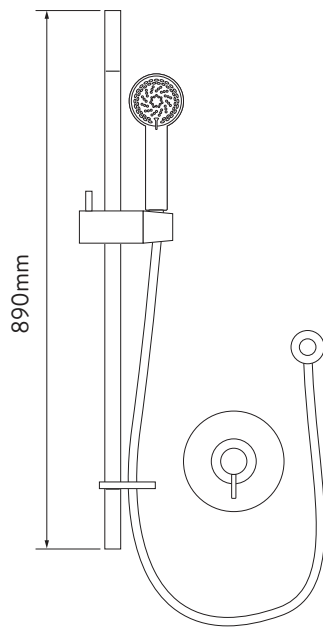
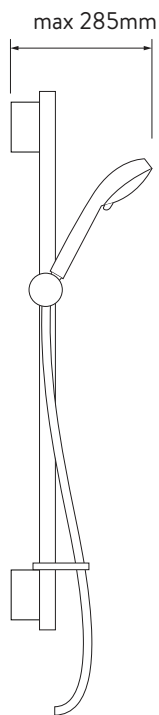
## SIREN™ SL CONCEALED MIXER SHOWER

SRN001CA

WITH ADJUSTABLE HEAD

---

### DIMENSIONAL DRAWINGS



60mm min, 80mm max from back face  
of valve to finished / tiled wall surface  
(10mm allowance for tiles)

# AQUALISA

## SIREN™ SL CONCEALED MIXER SHOWER

SRN001CA

WITH ADJUSTABLE HEAD

---

### TECHNICAL SPECIFICATIONS

Minimum pressure requirements	0.1 bar
Maximum pressure requirements	10 bar
Inlet fitting connections	15mm compression
Inlet supply positions	Hot/left, cold/right
Outlet connections	15mm compression
Valve inlet centres	149mm
Supply temperature	5 - 20°C Cold Supply 55 - 65°C Hot Supply
Water system	Gravity, Boosted Gravity, Combi and Balanced High Pressure
Features	Single lever control
	All metal valves
	Eco-setting can deliver water savings of up to 25%
	4 spray patterns including an eco-setting
Colour	Chrome
Guarantee period	5-year guarantee (valve)
	2-year guarantee (head and kit)
Approvals	WRAS