

Hartlebury

Dual Control Concentric Valve with Bottom Outlet

Product Specification

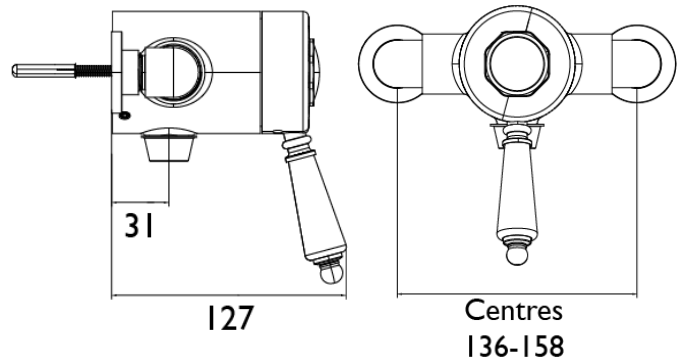
Product Codes & Finishes:	SHDCB02 (Chrome) SHDAB02 (Vintage Gold)
Maximum Temperature:	Pre-set to 42oC
Inlet Connections:	15mm Compression
Working Pressures:	Min 0.1 Bar, Max 5.0 Bar
Dimensions for Fitting:	136-158mm Inlet Centres



Chrome Pictured

Additional Information

- 5 Year Guarantee
- Supplied with 2 x 8 l/min. flow regulators
- Adjustable inlet centres mean you can use existing pipework with centres measuring anything between 136mm and 158mm
- Factory fitted regulators means this is a water saving shower
- Matching taps available



Flow Rates (litres per minute)

System Pressure	0.1bar	0.2bar	0.5bar	1bar	2bar	3bar	5bar
With Flow Regulators	2.47	3.49	5.51	7.79	11.02	13.5	17.43
Without Flow Regulators	6.2	10.5	18.6	27.3	38.61	47.29	61.05

Technical Advice:

For further information please call 0844 701 8503 or email technical@heritagebathrooms.com.

Guarantee:

5 Year Guarantee covering manufacturing faults.

