

Features:

- 5 Year Guarantee
- Supplied with rigid riser, arm and 155mm shower rose
- Adjustable inlet centres mean you can use existing pipework with centres measuring anything between 136mm and 158mm
- Factory fitted regulators means this is a water saving shower
- Matching taps available

Product Certifications:

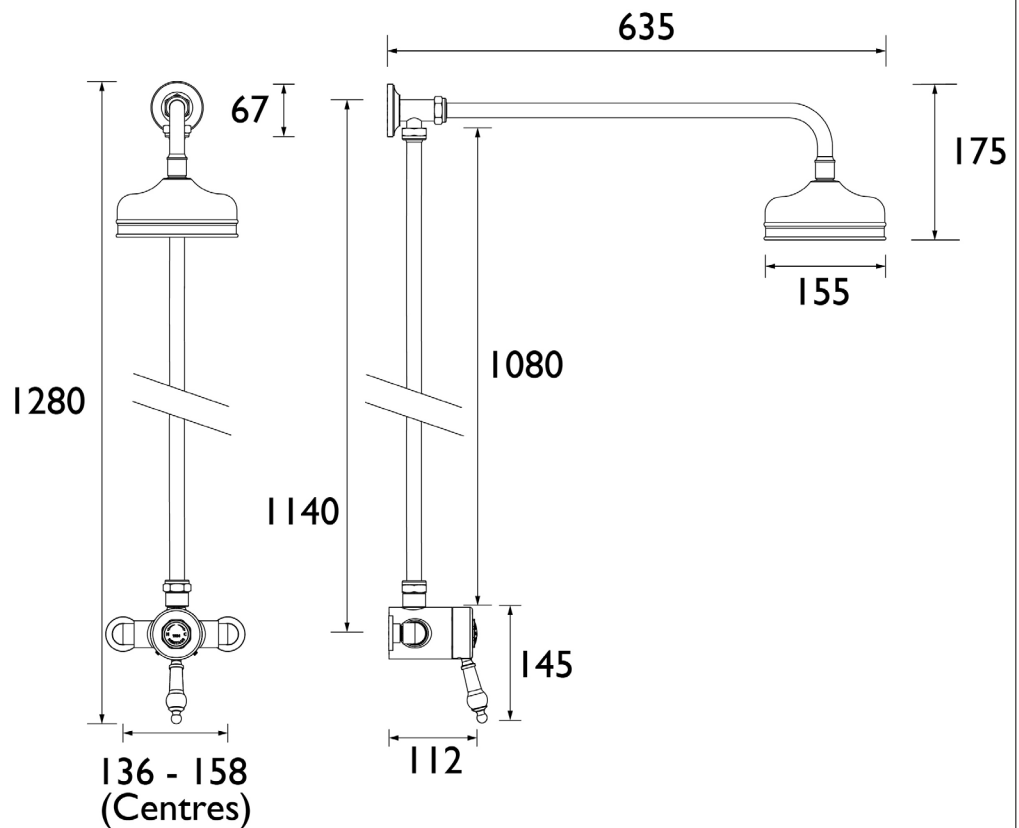


Additional Information:

Specification

Main Construction Material:	Brass
No of Controls:	1
Shower Type:	Exposed Thermostatic Single Control Valve
Shower Head Type:	Premium Fixed Riser Kit
Valve/Cartridge Type:	Thermostatic
Maximum Hot Water Supply Temperature °C:	65
Maximum Static Pressure: (bar)	10
Plumbing System Suitability:	All - Preferably Balanced
Working Pressure Range:	Min. 0.2 Bar, Max. 5.0 Bar
Connection Inlet:	½"
Connection Outlet:	½"
Isolation Valve Included:	No
Check Valve Included:	Yes

Dimensions (measurements in mm)



Flow Rates (l/min)

System Pressure (bar)	0.2	0.5	1	2	3	5
With Flow Regulators	--	12.5	13	14.1	14.1	11.6
Without Flow Regulators	5.9	18	26.4	37.2	46.4	58.5