

Features:

- 5 Year Guarantee
- Chrome plated to BS EN 248:2002
- Supplied with rigid riser, arm and 155mm shower rose
- Adjustable inlet centres mean you can use existing pipework with centres measuring anything between 136mm and 158mm
- Factory fitted regulators means this is a water saving shower
- Matching taps available

Product Certifications:

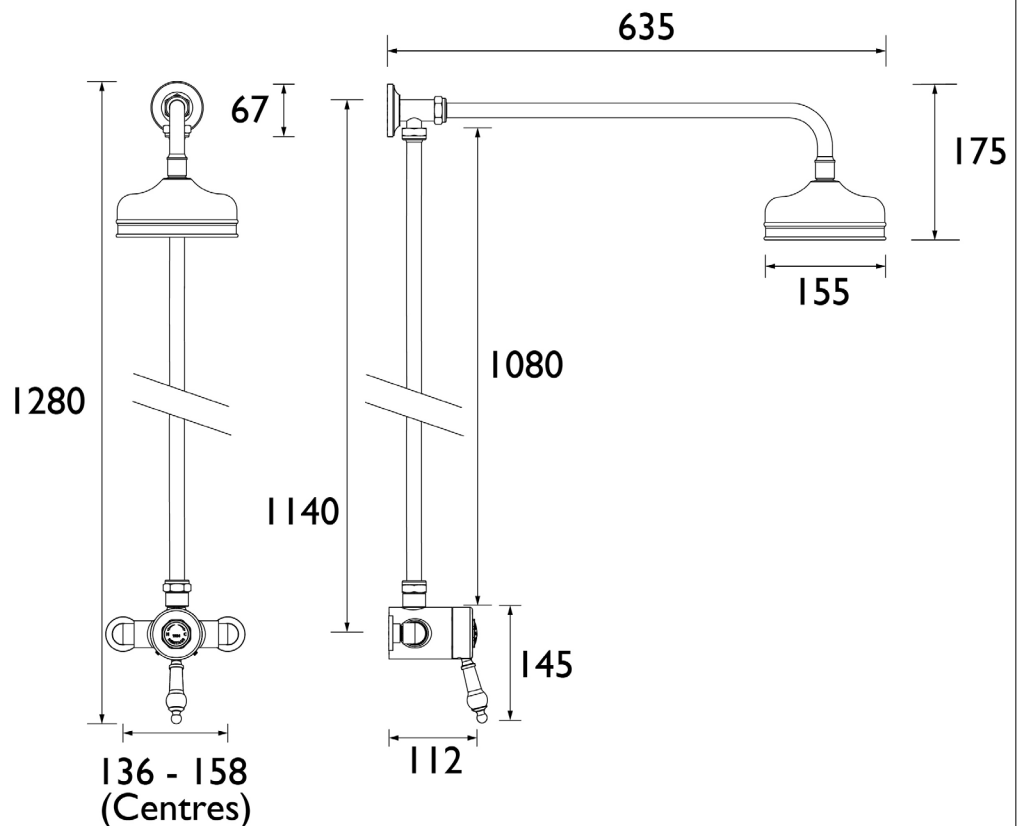


Additional Information:

Specification

| | |
|--|---|
| Main Construction Material: | Brass |
| No of Controls: | 1 |
| Shower Type: | Exposed Thermostatic Single Control Valve |
| Shower Head Type: | Premium Fixed Riser Kit |
| Valve/Cartridge Type: | Thermostatic |
| Maximum Hot Water Supply Temperature °C: | 65 |
| Maximum Static Pressure: (bar) | 10 |
| Plumbing System Suitability: | All - Preferably Balanced |
| Working Pressure Range: | Min. 0.2 Bar, Max. 5.0 Bar |
| Connection Inlet: | 1/2" |
| Connection Outlet: | 1/2" |
| Isolation Valve Included: | No |
| Check Valve Included: | Yes |

Dimensions (measurements in mm)



Flow Rates (l/min)

| System Pressure (bar) | 0.2 | 0.5 | 1 | 2 | 3 | 5 |
|-------------------------|-----|------|------|------|------|------|
| With Flow Regulators | -- | 12.5 | 13 | 14.1 | 14.1 | 11.6 |
| Without Flow Regulators | 5.9 | 18 | 26.4 | 37.2 | 46.4 | 58.5 |