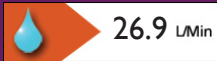


Features:

- 5 Year Guarantee
- Chrome plated to BS EN 248:2002
- Supplied with 2x 8 litres per minute flow regulators, rigid riser and a 155mm Shower Rose
- Adjustable inlet centres mean you can use existing pipework with centres measuring anything between 136mm and 158mm.
- Factory fitted regulators means this is a water saving shower
- Matching, limited edition Midnight Blue taps available

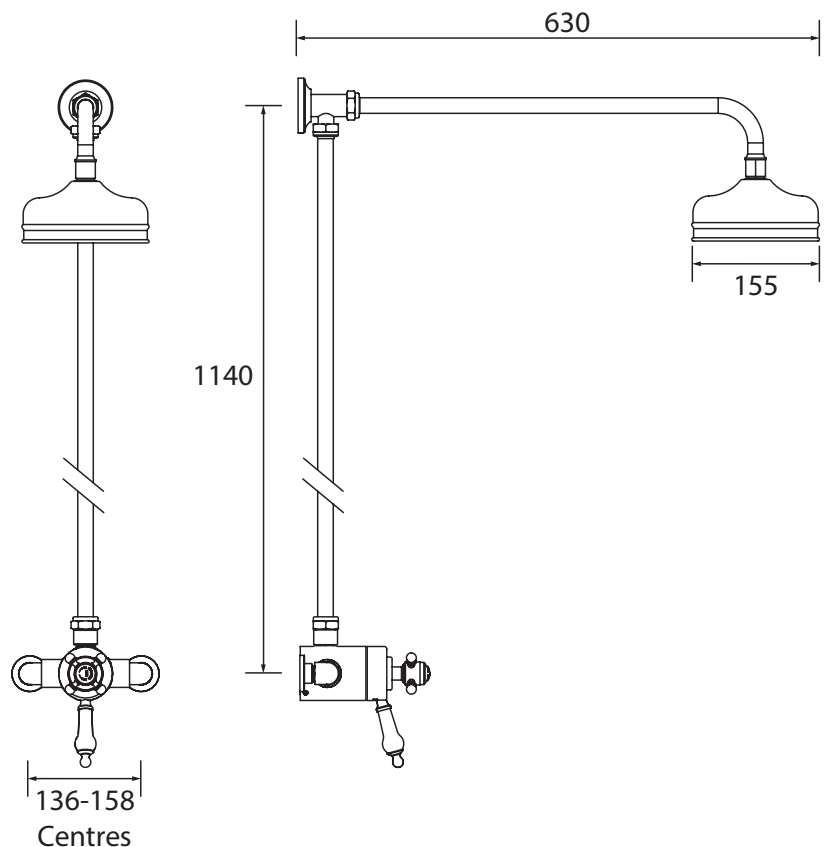
Product Certifications:



Specification

Main Construction Material:	N
No of Controls:	2
Shower Type:	Exposed Shower
Shower Head Type:	Fixed Premium Riser
Valve/Cartridge Type:	Thermostatic
Maximum Hot Water Supply Temperature °C:	65
Maximum Static Pressure: (bar)	10
Plumbing System Suitability:	Suitable for all plumbing conditions
Working Pressure Range:	Min: 0.2 Max: 5.0
Connection Inlet:	1/2"
Connection Outlet:	1/2"
Isolation Valve Included:	N
Check Valve Included:	Y

Dimensions (measurements in mm)



Flow Rates (l/min)

System Pressure (bar)	0.2	0.5	1	2	3	5
Through Rose with flow Regulators	--	9.3	13.1	15	13.3	12.2
Through Rose without Flow Regulators	4.3	9.8	15.4	22	26.9	34.8