

SDCDUAL07

DAWLISH Shower Range Dawlish Exposed Thermostatic Dual Control Shower Valve with Premium Fixed Riser Kit and Diverter to Handset Chrome



Features:

- Optimised for UK market, designed to work at pressure range of 0.2 - 5.0bar
- Thermostatic temperature control and automatic stop prevent surges of hot or cold water
- Performance Flow to provide a drenching experience
- Adjustable inlet centres, allowing you to use existing pipework with centres measuring anything between 136mm and 158mm.
- Large 6" shower rose
- Premium handset

Product Certifications:



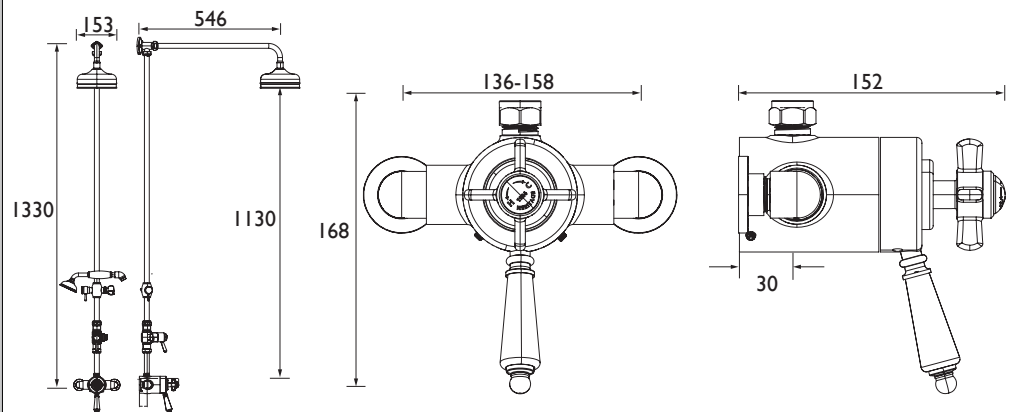
Additional Information:

- Matching taps are available for the Dawlish range, search Taps on our website to see the complete collection.

Specification

Main Construction Material:	Brass
No of Controls:	2
Shower Type:	Mixer
Shower Head Type:	Fixed and Handset
Valve/Cartridge Type:	Thermostatic
Maximum Hot Water Supply Temperature °C:	65
Maximum Static Pressure: (bar)	10
Plumbing System Suitability:	Suitable for all plumbing conditions
Working Pressure Range:	Min: 0.2 Max: 5.0
Connection Inlet:	1/2"
Connection Outlet:	1/2"
Isolation Valve Included:	No
Check Valve Included:	Yes

Dimensions (measurements in mm)



Flow Rates (l/min)

System Pressure (bar)	0.2	0.5	1	2	3	5
Through Handset (mixed no Flow regulators)	4.6	9.0	13.4	19.5	25.1	30.9
Through Handset (mixed with Flow regulators)	-	5.2	6.1	6.6	7.2	8.1
Through Fixed Head (mixed with no Flow regulators)	5.0	9.0	13.5	19.8	27.3	-
Through Fixed Head (mixed with Flow regulators)	-	5.6	7.4	7.6	7.7	8.5

TECHNICAL DATA SHEET



HERITAGE[®] BATHROOMS

D3