

Granley

Baby Basin 2 Taphole

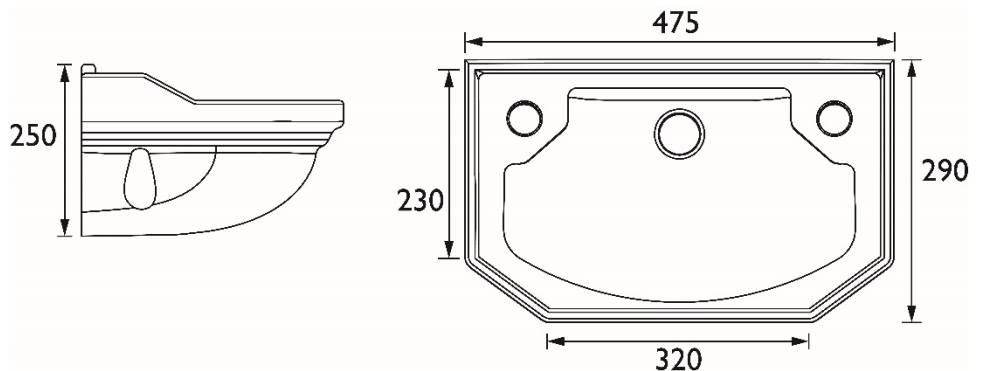
Product Specification

Product Code:	PGRW08
Finish:	White
Product Type:	Traditional
Construction:	Vitreous China
Dimensions for Fitting:	250 (H) mm, 475 (W) mm, 290 (D) mm



Additional Information

- Lifetime Guarantee
- Wall mounted only
- Use with Short Nose Pillar Taps such as Dawlish (TDCC500/TDCG500)
- Use with a Traditional (THC19/THA19) or Shaker (TSC19) Bottle Trap
- Vitreous China Manufactured to: BSEN31:1999
BSI 188:1974
BS3402:1969



Technical Advice: For further information please call 0844 701 8503 or email technical@heritagebathrooms.com.

Guarantee: Lifetime Guarantee covering manufacturing faults.

Heritage Bathrooms, Birch Coppice Business Park, Dordon, Tamworth, B78 1SG
Telephone: 0844 701 8501 Facsimile: 0844 701 8502
Web Site: www.heritagebathrooms.com Email: technical@heritagebathrooms.com


delivery to showroom

