

HERITAGE

BATHROOMS

Installation Guide



Models covered:

Vanity Basins

Please keep this booklet for future reference.

Installer: When you have read these instructions, please ensure you leave them with the user.



Introduction



Thank you for buying a Heritage Product. When you buy a Heritage product, you can be confident that it not only features a beautiful, distinctive, classic design, but that it has also been made to the very highest quality standards.

To ensure that it works to its full potential, it needs to be fitted correctly.

These fitting instructions have been created to give you all of the information you need and, if you need any further help, please do not hesitate to give us a call on: **0330 026 8503**.

Index



| | |
|------------------------------|-----|
| Safety Note..... | 3 |
| Tools Required..... | 3 |
| Installation..... | 4-5 |
| Caring for your product..... | 6 |
| Guarantee..... | 6 |
| Notes..... | 7 |

Safety Notes



Please read these instructions and retain for future use.

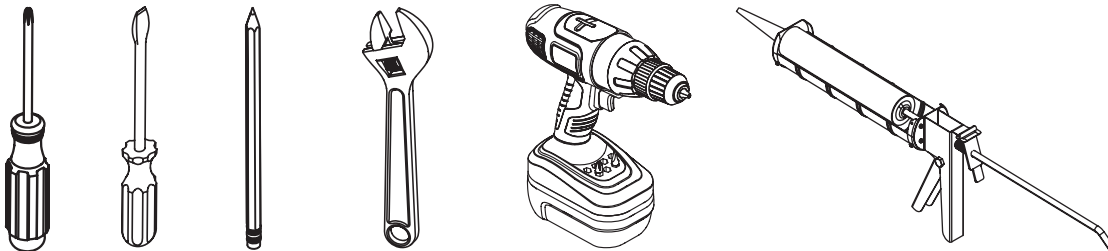
All products manufactured and supplied by Heritage are safe, provided they are installed correctly, used correctly, and receive regular maintenance in accordance with these instructions.

If you are in any doubt about your ability to install this product safely you must employ the services of a competent person who has experience of fitting products of this nature.

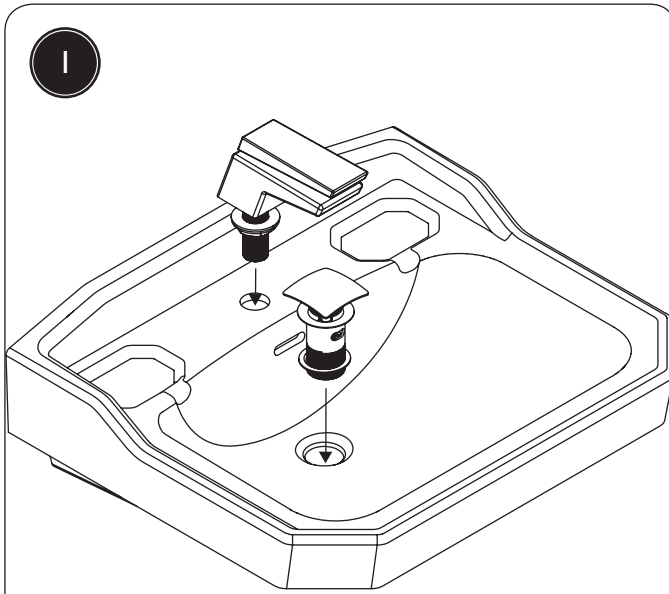
 Before starting any installation project please consider the following:

- Prior to drilling into walls, check there are no hidden electrical wires or cables or water supply pipes with the aid of an electrical detector.
- If you use power tools do not forget PPE:
 - Wear eye protection.
 - Unplug equipment after use.
- Keep electrical equipment away from sources of water.
- This product must not be modified in any way as this will invalidate the guarantee.
- Basins, including the connecting water and waste system need to be installed in accordance with and meet the requirements of the water supply regulations 1999 (Water Fittings) and Scottish By-Laws 2004.
- If a blow lamp is used when plumbing, the flame must be kept away from the bath otherwise damage may occur.

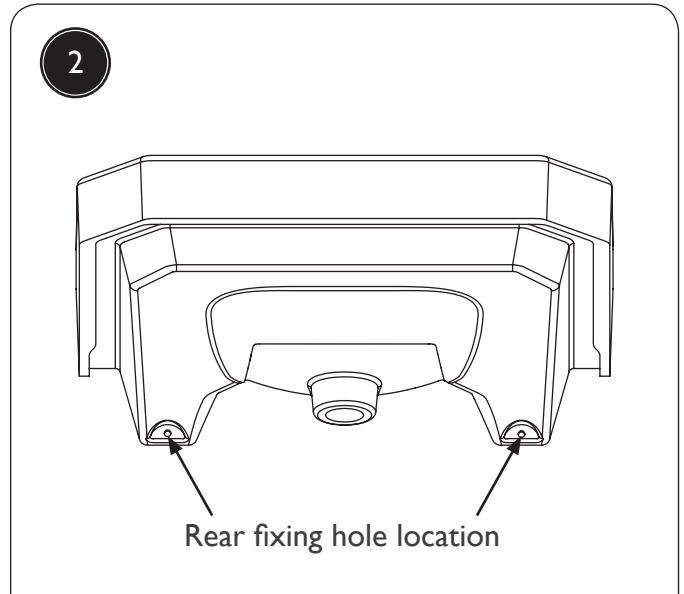
Tools Required



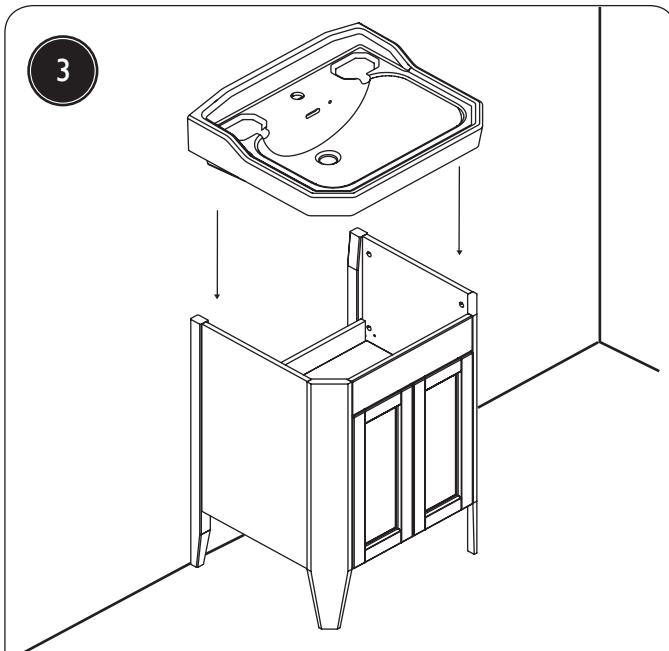
Installation



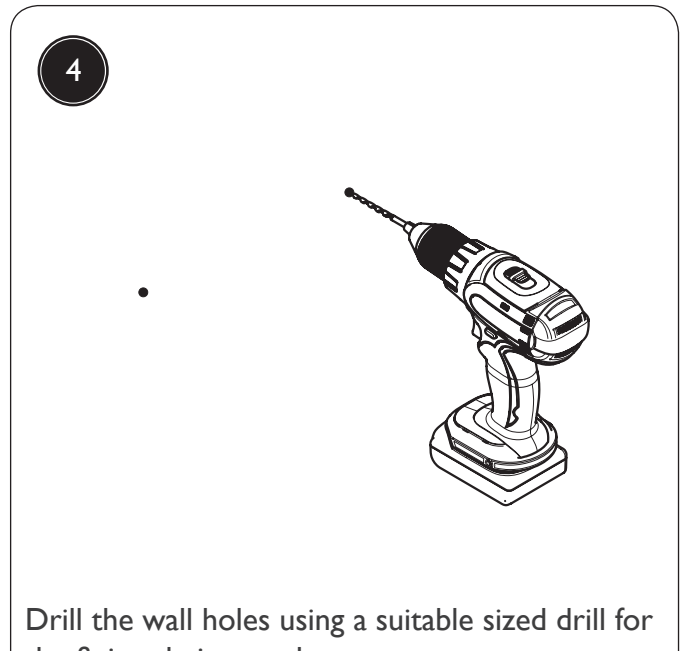
Top tip: It is advisable to pre-install the chosen taps and waste, before installing the basin to the wall, using the supplied instructions.



Locate the fixings holes on the basin.



Position the vanity unit against the wall in the required position. Position the basin so the lip around the front and side edge is even. Mark the basin fixing holes.



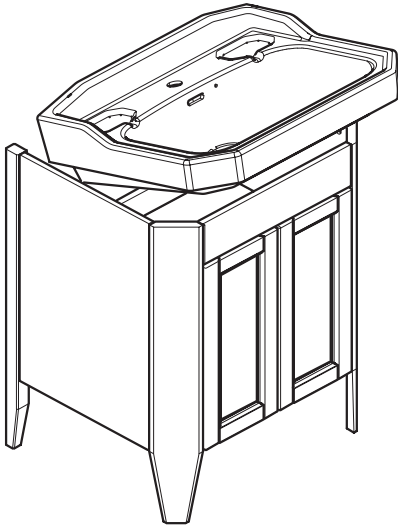
Drill the wall holes using a suitable sized drill for the fixings being used.

Note: Prior to drilling into walls check there are no hidden electrical wires, cables or water supply pipes

Installation



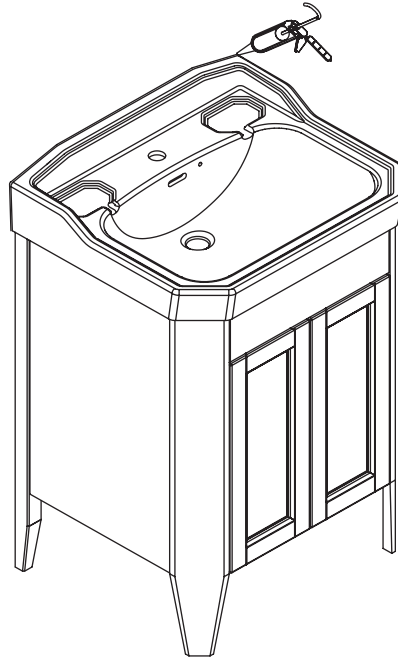
5



Fix basin to the wall using suitable fixings (not-supplied). To ensure the basin sits correctly on the unit a shim may be required behind the splash back.

Note: you will need to open the cupboard door for access or remove the top drawer if the vanity unit has one.

6



Use silicon sealant where necessary to ensure the basin edges are sealed and water tight to the furniture and wall. Refer to any instructions with handles when fitting to the doors.

Caring for your product



Your fitting has a high quality finish and should be treated with care to preserve the surface.

- All surface finishes will wear if not cleaned correctly.
- The only safe way to clean your product is to wipe with a soft damp cloth. Any stains can be removed using washing up liquid.
- Do not use cleaning powders or liquids.
- Even non-scratch cleaners may damage the surface of your fitting.

Guarantee



The confidence we have in the quality of our products and services enables us to offer a free peace-of-mind product guarantee from 2 years up to a lifetime guarantee against any manufacturing faults, with proof of purchase. In addition, our attentive customer service team are available to help solve any problems which may arise quickly and effectively so you can enjoy your bathroom.

To see the specific guarantee for this product, visit the following URL or QR Code.

<http://www.heritagebathrooms.com/service-centre/guarantee>



Notes





HERITAGE[®]

BATHROOMS

Contact Details



Heritage Bathrooms
Birch Coppice Business Park
Dordon
Tamworth
B78 1SG

Website: www.heritagebathrooms.com
Customer Services Telephone: 0330 026 8503
Email: enquire@heritagebathrooms.com

Vanity Basins - DI