

# TECHNICAL DATA SHEET

# HERITAGE BATHROOMS

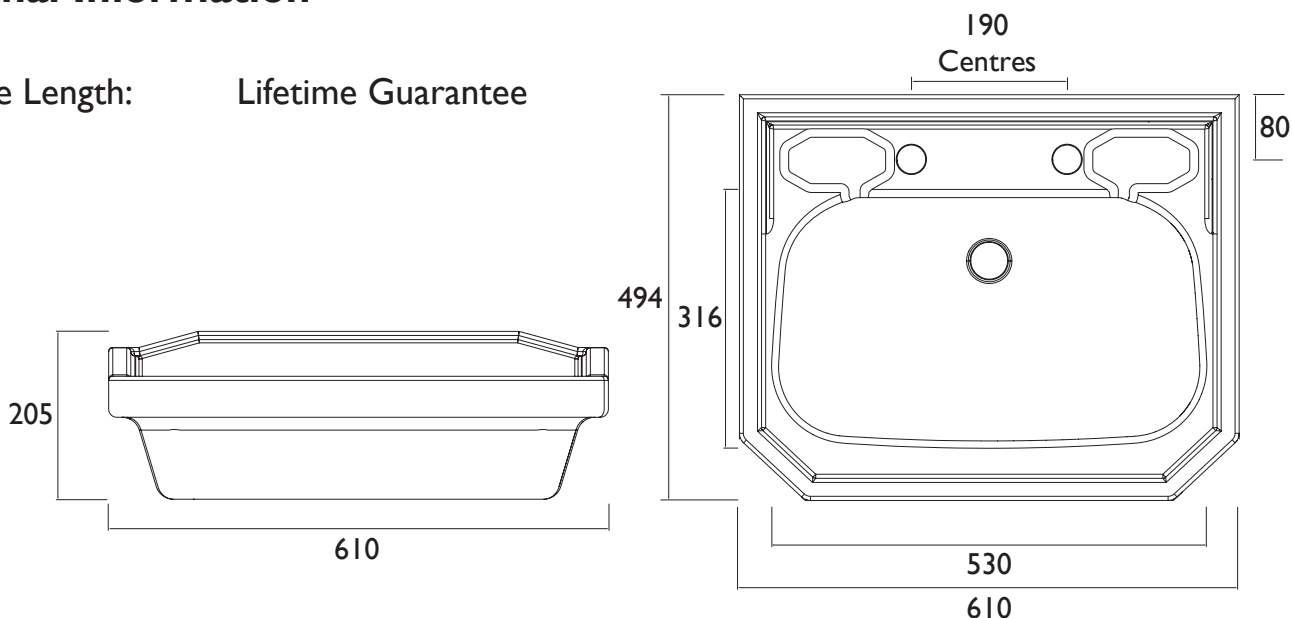
## Granley Basin for Freestanding Vanity Unit 2 Tap Hole

### Specification:

Product Code:	PGRW05F
Area:	Sanitaryware
Style:	Traditional
Finish:	White
Construction Material:	Fine Fireclay (FFC)

### Additional Information

Guarantee Length: Lifetime Guarantee



Heritage Bathrooms, Birch Coppice Business Park, Dordon, Tamworth. B78 1SG  
Telephone 0330 026 8503 Fax 0844 071 8504  
Website [www.heritagebathrooms.com](http://www.heritagebathrooms.com) Email [enquire@heritagebathrooms.com](mailto:enquire@heritagebathrooms.com)

DI

The information contained on this page was correct at date of issue. Fitting dimensions are provided as a guide only. Some variation may occur due to manufacturing tolerances. Heritage Bathrooms pursues a policy of continuing improvement in design and performance of its products and so reserves the right to change specifications without prior notice.