

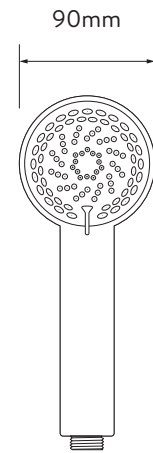
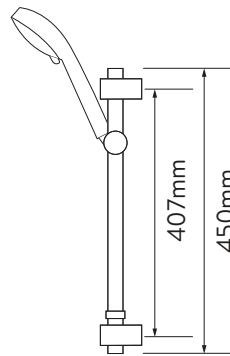
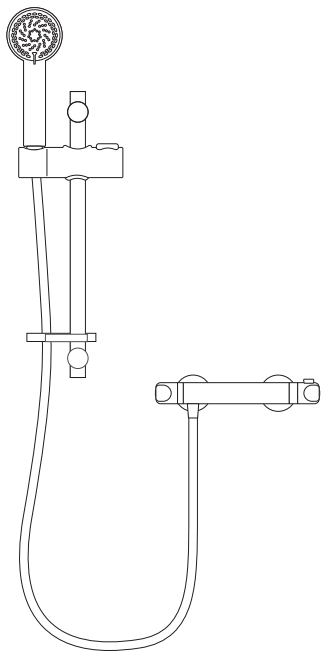
AQUALISA

MIDAS™ 100 BAR MIXER SHOWER

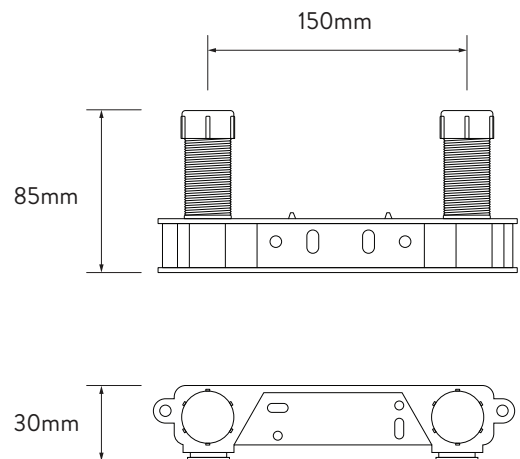
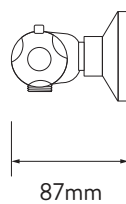
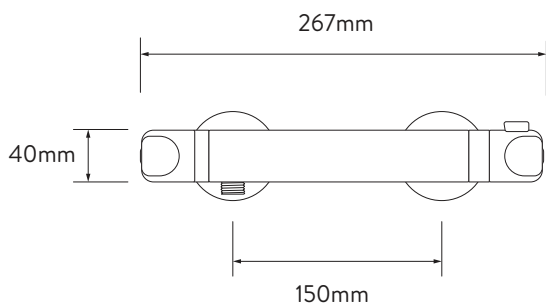
MD100EBAR

WITH ADJUSTABLE HEAD AND EASY FIT BRACKET

DIMENSIONAL DRAWINGS



‘EASY FIT’ BRACKET



AQUALISA

MIDAS™ 100 BAR MIXER SHOWER



MD100EBAR

WITH ADJUSTABLE HEAD AND EASY FIT BRACKET

TECHNICAL SPECIFICATIONS

Minimum pressure requirements	0.1 bar
Maximum pressure requirements	10 bar
Inlet fitting connections	3/4" BSP
Inlet supply positions	Hot/left, cold/right (as viewed from the front)
Outlet connections	1/2" BSP
Valve inlet centres	150mm (can be adjusted with eccentric elbows to 130-170mm)
EFB fixing centres	150mm
Bracket inlet fitting connections	15mm push fit
Supply temperature	5 - 20°C Cold Supply
	55 - 65°C Hot Supply
Materials	Valve body - Brass
	Valve on/off / flow control knob, valve temperature control knob - ABS
Water system	Gravity
	Boosted gravity
	Combi and balanced High Pressure systems
Features	4 spray patterns
Colour	Chrome
Approvals	WRAS
Guarantee period	Valve - 5 years
	Shower head and kit - 2 years