

AQUALISA

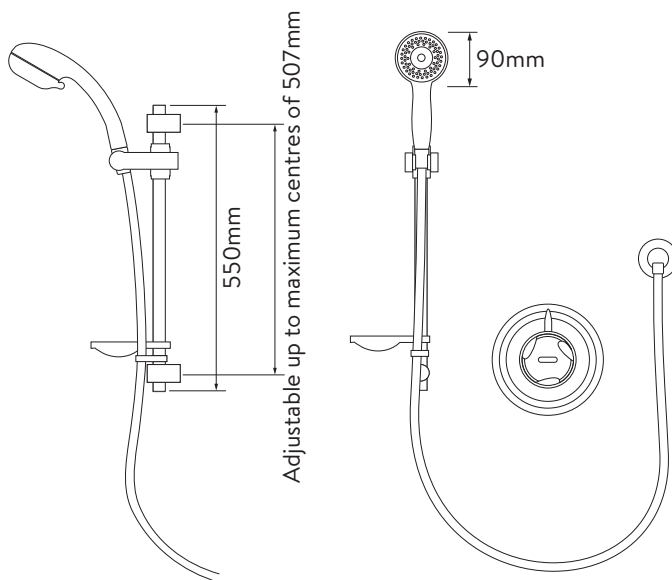
AQUAVALVE 609 THERMO CONCEALED MIXER SHOWER

C609.20T

WHITE

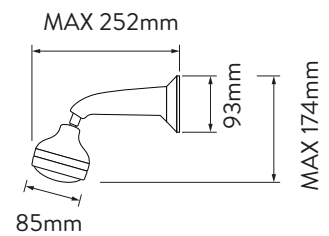
DIMENSIONAL DRAWINGS

ADJUSTABLE HEAD

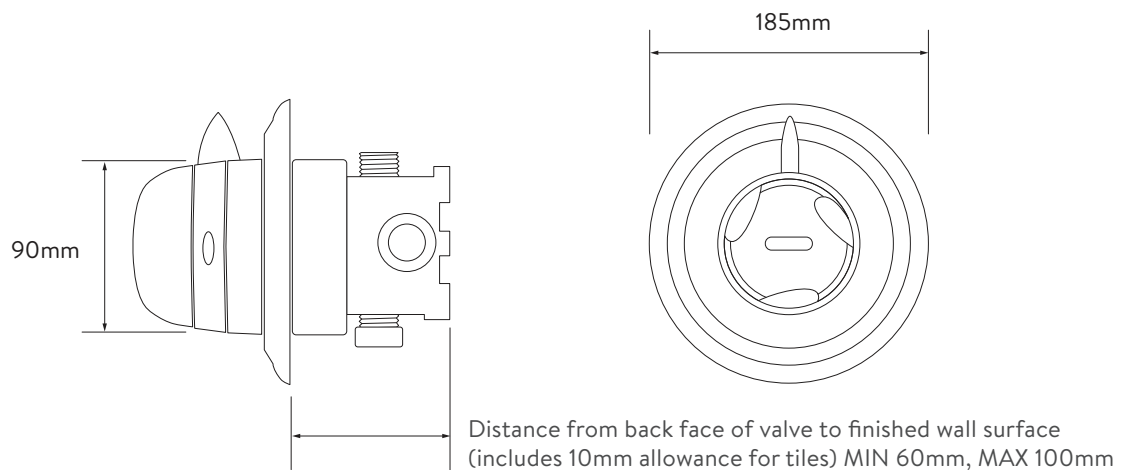


99.40.20 (VARISPRAY)
99.20.20 (TURBOSTREAM)

FIXED HEAD



99.50.20 (VARISPRAY)
99.30.20 (TURBOSTREAM)



AQUALISA

AQUAVALVE 609 THERMO CONCEALED MIXER SHOWER

C609.20T

WHITE

TECHNICAL SPECIFICATIONS

Minimum pressure requirements	0.1 bar
Maximum pressure requirements	10 bar
Inlet fitting connections	15mm compression
Inlet supply positions	Hot/left, cold/right
Outlet connections	3/4"
Valve inlet centres	150mm
Supply temperature	5 - 20°C Cold Supply 55 - 65°C Hot Supply
Water system	Gravity, Boosted Gravity, Combi and Balanced High Pressure
Features	Easy clean nozzles
	Rotating spray selector
	Pinch grip slider
	On/off control
	Temperature control
	Temperature override button
Colour	White
Guarantee period	3-year guarantee