

AQUALISA

AQUATIQUE

THERMO EXPOSED

MIXER SHOWER



500.10.01

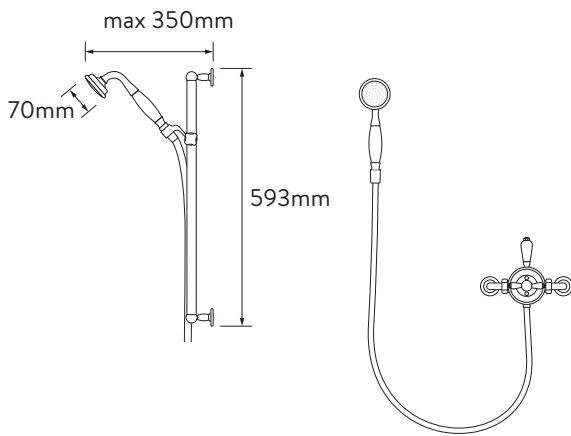
CHROME

.....

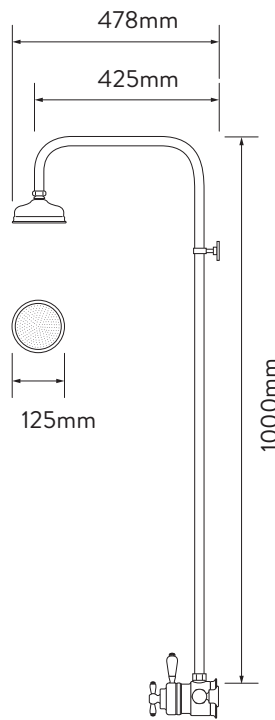
DIMENSIONAL DRAWINGS

(The above SKU doesn't come with the heads shown as standard)

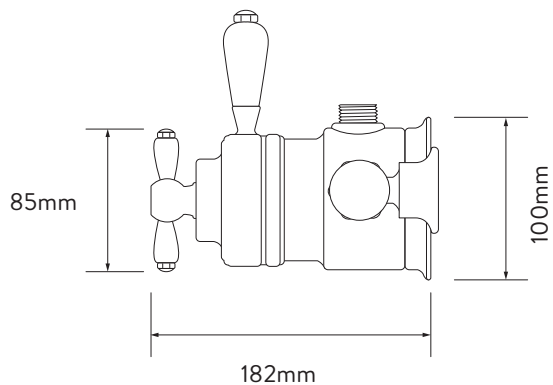
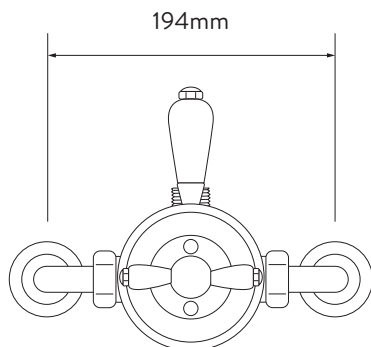
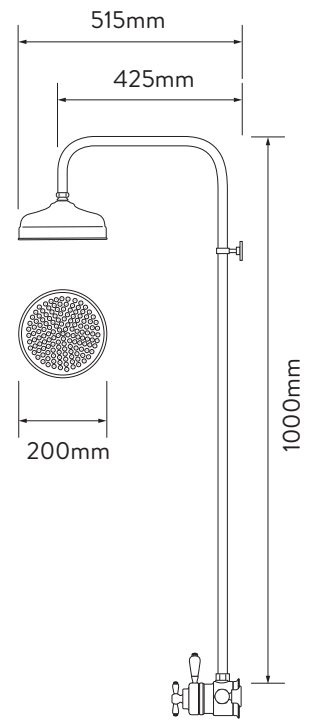
561.01



551.01



581.01



AQUALISA

AQUATIQUE THERMO EXPOSED MIXER SHOWER

500.10.01

CHROME

TECHNICAL SPECIFICATIONS

Minimum pressure requirements	0.1 bar
Maximum pressure requirements	10 bar
Inlet fitting connections	15mm compression
Inlet supply positions	Hot/left, cold/right
Outlet connections	3/4" BSP
Valve inlet centres	194mm
Supply temperature	5 - 20°C Cold Supply 55 - 65°C Hot Supply
Water system	Gravity, Boosted Gravity, Combi and Balanced High Pressure
Features	Quality, solid brass shower valve
	Adjustable height shower head for flexible showering
	Classically styled 5" and 8" drencher shower head options
	Maximum temperature limit can be set during installation
Colour	Chrome
Guarantee period	Valve 3 years
	Head and Kit 2 years