

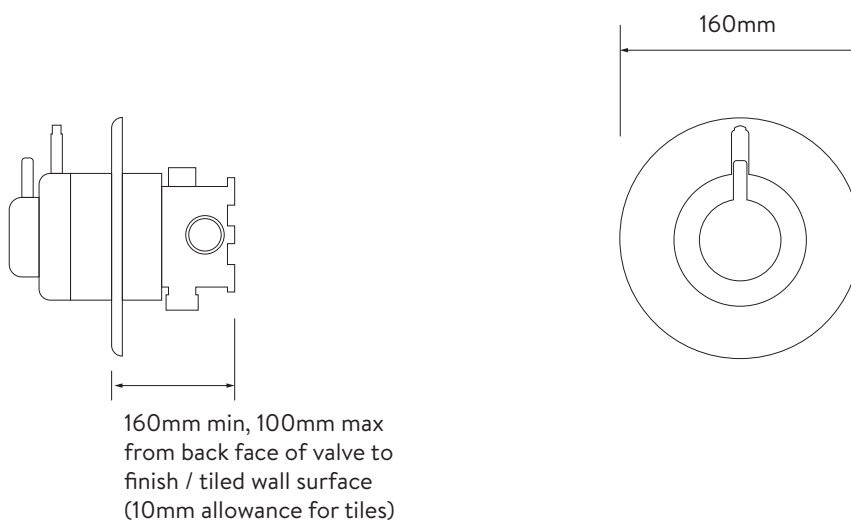
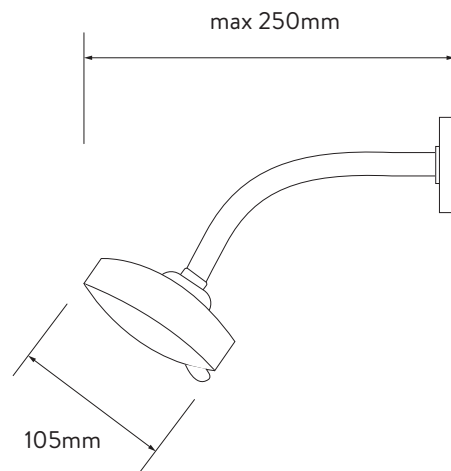
AQUALISA

DREAM™ CONCEALED MIXER SHOWER

DRM001CF

WITH FIXED WALL HEAD

DIMENSIONAL DRAWINGS



AQUALISA

DREAM™ CONCEALED MIXER SHOWER

DRM001CF

WITH FIXED WALL HEAD

TECHNICAL SPECIFICATIONS

Minimum pressure requirements	0.1 bar
Maximum pressure requirements	10 bar
Inlet fitting connections	15mm compression
Inlet supply positions	Hot/left, cold/right
Outlet connections	15mm push fit
Valve inlet centres	150mm
Supply temperature	5 - 20°C Cold Supply 55 - 65°C Hot Supply
Water system	Gravity, Boosted Gravity, Combi and Balanced High Pressure
Features	Quality metal controls
	Separate on/off and temperature control levers
	105mm Harmony shower head
	Eco-spray setting can deliver water savings of up to 25%
	Temperature override button
	4 spray patterns including an eco-spray setting
Colour	Chrome
Guarantee period	5-year guarantee (valve)
	2-year guarantee (head and kit)