

TS4753ECP

GUM Shower Range 22mm Thermostatic Mixing Valve



Specification

Style:	Utility
Finish/Colour:	Chrome
Main Construction Material:	Brass
No of Controls:	1
Shower Type:	Thermostatic Mixing
Shower Head Type:	N/A
Valve/Cartridge Type:	Thermostatic
Maximum Hot Water Supply Temperature °C:	80
Maximum Static Pressure: (bar)	10
Plumbing System Suitability:	All - Ideally Balanced
Working Pressure Range:	Min. 0.1 Bar - Max. 5.0 Bar
Connection Inlet:	22mm
Connection Outlet:	22mm
Check Valve Included:	Yes

Features:

- Ideal for group applications at pressures as low as 0.1 bar
- Temperature control can be locked in position or allow adjustment
- Automatic shut-off in the event of hot or cold water supply failure
- Check valves and serviceable filters as standard
- Operates at a maximum pressure differential of 10:1

Product Certifications:



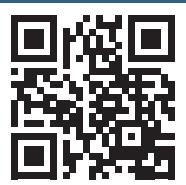
WRAS Cert. Number: 1506072
WRAS Expiry Date: 30/06/2020



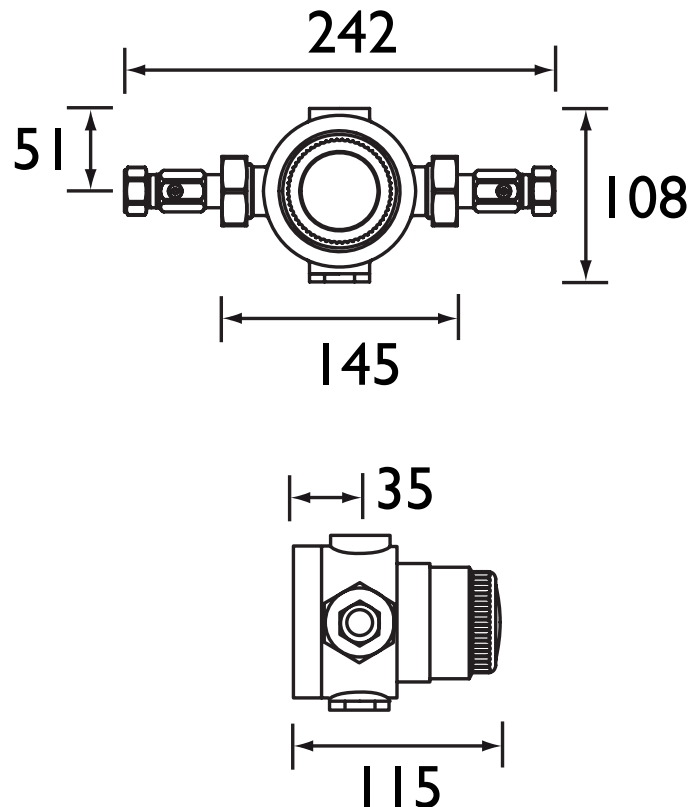
TMV3 Cert. Number: NSF2259/0920
TMV3 Expiry Date: 11/09/2025



For more products, visit our website:
<http://www.bristan.com>



Dimensions (measurements in mm)



Flow Rates (l/min)

System Pressure (bar)	0.2	0.5	1	2	3	5
Through Handset (mixed)	19	33	47	66	81	105

TECHNICAL DATA SHEET



BRISTAN

D8